

# SD SERIES - DIRECT DRIVE DOWNBLAST SPUN ALUMINUM EXHAUSTERS



Canarm certifies that the SD Series shown herein are licensed to bear the AMCA Seal. The ratings are based on tests and procedures performed in accordance with AMCA Publications 211 & 311 and comply with the requirements of the AMCA Certified Ratings Programme.



## PERFORMANCE SPECIFICATIONS

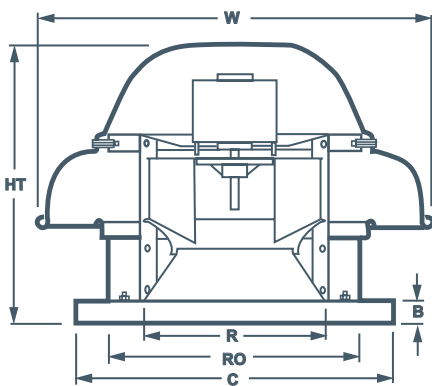
TYPICAL MAXIMUM CFM @ SP					
MODEL	1/2" SP	1" SP	1 1/2" SP	2" SP	2 1/2" SP
SD-10	300	--	--	--	--
SD-12	450	75	--	--	--
SD-30	1150	850	300	--	--
SD-33	1100	750	--	--	--
SD-50	1750	1500	1100	--	--
SD-85	3100	2700	2200	1600	--

FOR FAN CURVES & FULL PERFORMANCE DATA, CONSULT OUR DELAIR SOFTWARE. DOWNLOAD DELAIR @ [WWW.CANARM.COM/DELAIR](http://WWW.CANARM.COM/DELAIR)

## FEATURES

- Spun aluminum housing for dust-free, weather resistant durability
- Non-overloading backward inclined wheels, blades and inlets fabricated from 3003-H14 aluminum.
- All sizes can be wall mounted.
- Variable speed motor control with "off" setting
- Standard bird screen.
- Disconnect switch.

## DIMENSIONS



MODEL	WHEEL DIAMETER	HT	W	B	C	R	RO	MOTOR HP (115V)	UNIT WEIGHT (LBS)
SD-10	9"	14 1/2"	20 3/4"	2"	19"	8 1/8"	13"	1/12	30
SD-12	10 1/2"	16 1/4"	23 3/4"	2"	19"	10 5/8"	13"	1/7	35
SD-30	11 3/4"	19 1/8"	26 1/4"	2"	21"	12 1/8"	16"	1/4	45
SD-33	11 3/4"	19 1/8"	26 1/4"	2"	21"	12 1/8"	16"	1/3	45
SD-50	13 3/4"	21 3/4"	29 3/4"	2"	21"	13 1/4"	16"	1/2	50
SD-85	15 3/4"	23 3/8"	33 1/4"	2"	24 3/4"	14 7/8"	20"	3/4	60

## OPTIONS

- Gravity damper.
- Motorized damper.
- Wall mount sleeve.
- Roof curb.

## RELATED MODELS



**SBRM**  
Belt Drive Upblast Spun Aluminum Exhauster



**SDUB**  
Direct Drive Upblast Spun Aluminum Exhauster



**SB**  
Belt Drive Downblast Spun Aluminum Exhauster