

PRIMEX HVAC VENTING

Product Specification Sheet



PRODUCT
MODEL CODE

WCL Series

Low Profile Intake & Exhaust Vents

1. PRODUCT SUMMARY

The Primex Low Profile Intake and Exhaust Vents (WCL Series) eliminate leaky joints while maximizing water protection with a one-piece molded base and built-in drip edge.

These vents feature an attractive low profile design and fit 7" and 8" diameter ducts. They are rainscreen-compatible via the extended base which compensates for the cavity between sheathing and cladding.

2. PRODUCT DIMENSIONS

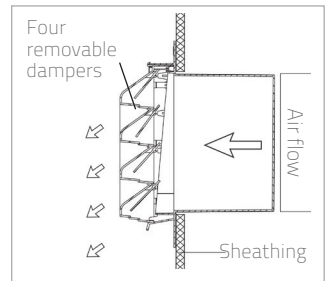
HOOD SIZE: H: 10.25" / W: 12.3" / D: 1.7"

3. FEATURES & BENEFITS

- Enhances aesthetics with low profile that blends with the installation location.
- Suitable for intake and exhaust applications where low profile is preferred.
- Over-sized flange ensures water-tight installation.
- The integrity of the building envelope is maintained via a removable hood for simple cleaning or replacement.
- Made with UV-protected Polymer resin for lasting durability.
- Highly resistant to mechanical impact.
- Built-in bird screen.
- Quick and easy installation.

4. COLOURS

- | | |
|-----------------|-----------------|
| ▪ Snow White 01 | ▪ Light Grey 31 |
| ▪ Taupe 23 | ▪ Tan 45 |
| ▪ Black 25 | ▪ Dark Brown 68 |
| ▪ Dark Grey 28 | |



FOR MORE INFORMATION CONTACT:

20160 92A Avenue Langley BC V1M 3A4 Canada
📞 1.877.881.7875 📧 info@primexfits.com primexfits.com

primex  Fit everything. Together.

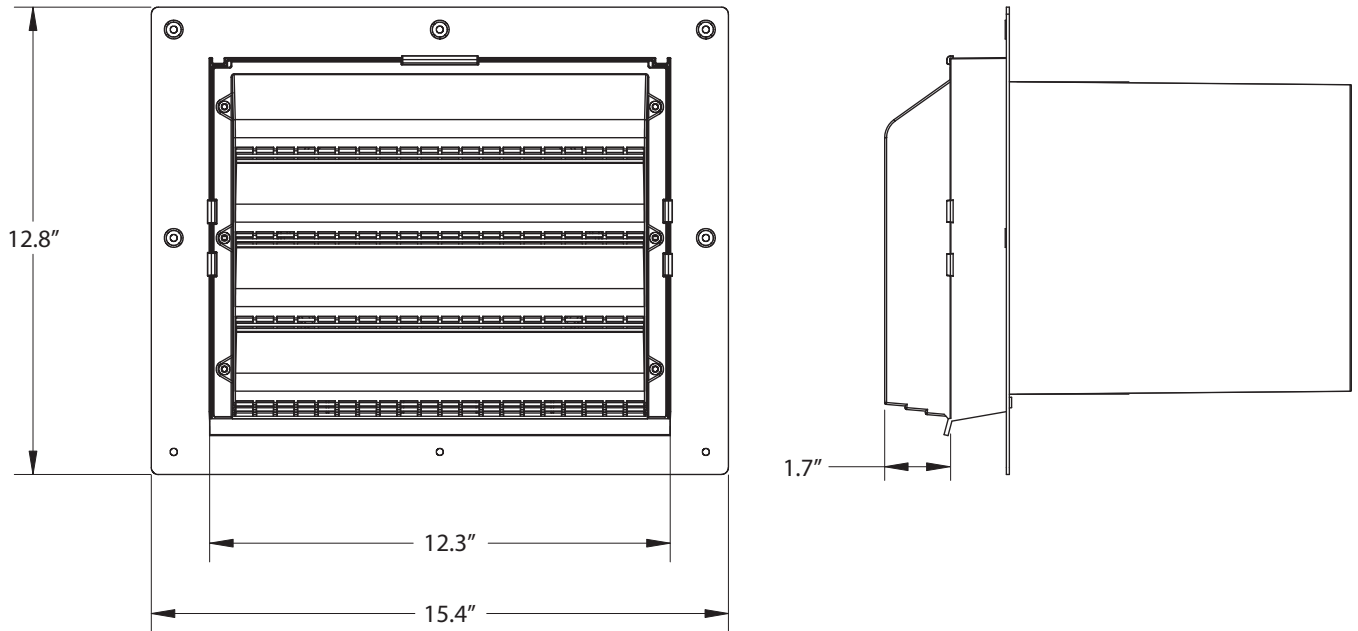


5. SIZING/PART NUMBER

EXTENDED WALL CAPS

| PART NUMBER | FREE AREA | DESCRIPTION | PKG |
|-------------|-----------|--|-------|
| WCL7 | 38.5" | Low profile wall cap will fit a 7" diameter duct | 4/box |
| WCL8 | 50.3" | Low profile wall cap will fit a 8" diameter duct | 4/box |

6. TECHNICAL DRAWINGS



FOR MORE INFORMATION CONTACT:

20160 92A Avenue Langley BC V1M 3A4 Canada
 1.877.881.7875 info@primexfits.com primexfits.com