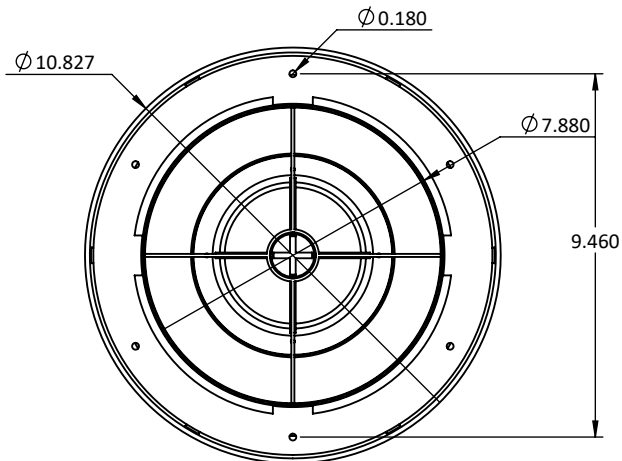
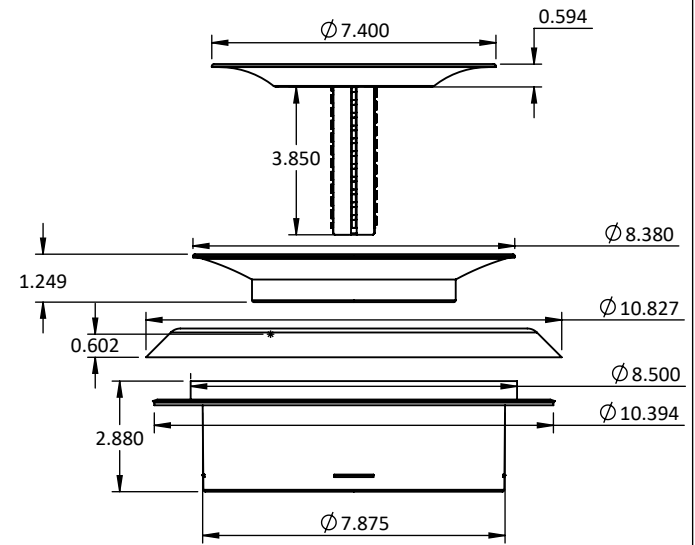


SECTION AC-AC



UNLESS OTHERWISE SPECIFIED DIMENSIONS ARE IN INCHES AND TOLERANCES ARE:  Decimal: .X ±.1 .XX ±.06 .XXX ±.015  Angular: ±1°	CRITICAL DIMENSION DISPLAYED IN		REFERENCE DIMENSIONS DISPLAYED IN BRACKETS ( )	
	DRAWN BY	APPROVED BY	DESCRIPTION: <b>CEILING DIFFUSER WGx8</b>	
	MHUNSBERGER		REFERENCE:	N/A
	15/03/2026		MATERIAL:	ABS
SCALE: N/A				REV 0
				SHEET 1/1