

INSTALLATION

Make sure the duct is sized correctly for the vent and well anchored to the structure for stability.

STEP 1

Select a good grade of exterior-type silicon caulk or equivalent appropriate to the local climate and usage. Following installation instructions, apply a sufficient amount of caulk around the neck of the vent as shown in Sketch No. 1. This will assure a good airtight seal at the vent/duct connection.

STEP 2

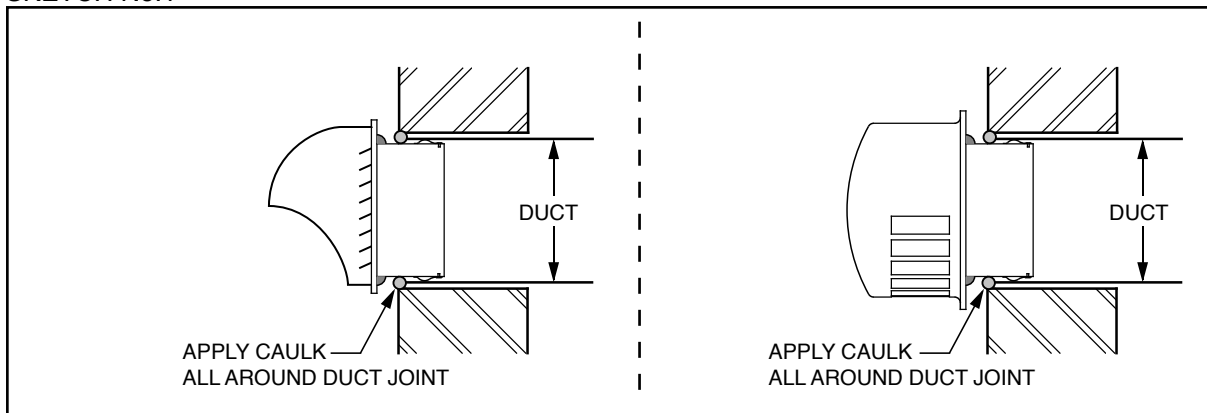
Insert the vent into the duct and press firmly to compress the caulk for a good seal at the duct.

STEP 3

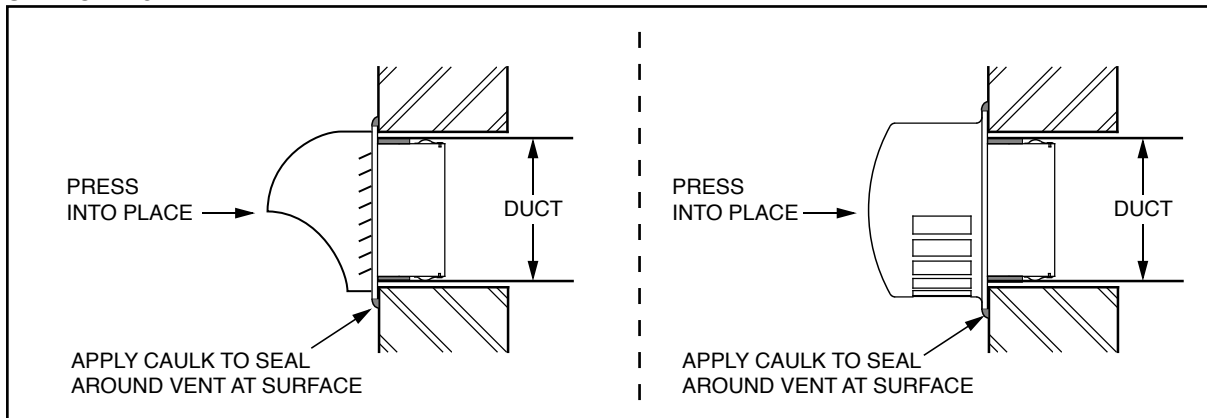
Apply caulk around the outside edge of vent at the wall as shown in Sketch No. 2. This will assure a good weather tight seal at the wall opening. Wipe off any excess. The vent openings must be positioned at the bottom.

We recommend a good grade of exterior-type silicon caulk or equivalent. Apply caulk according to manufacturers instructions.

SKETCH No.1



SKETCH No.2



NOTE

No louver manufacturer warrants their louver to prevent water penetration under all possible circumstances of wind and rain.

SAFETY

Use protective gloves whenever handling the vent. Read caulk manufacturer's instructions carefully for installation and safety instructions.