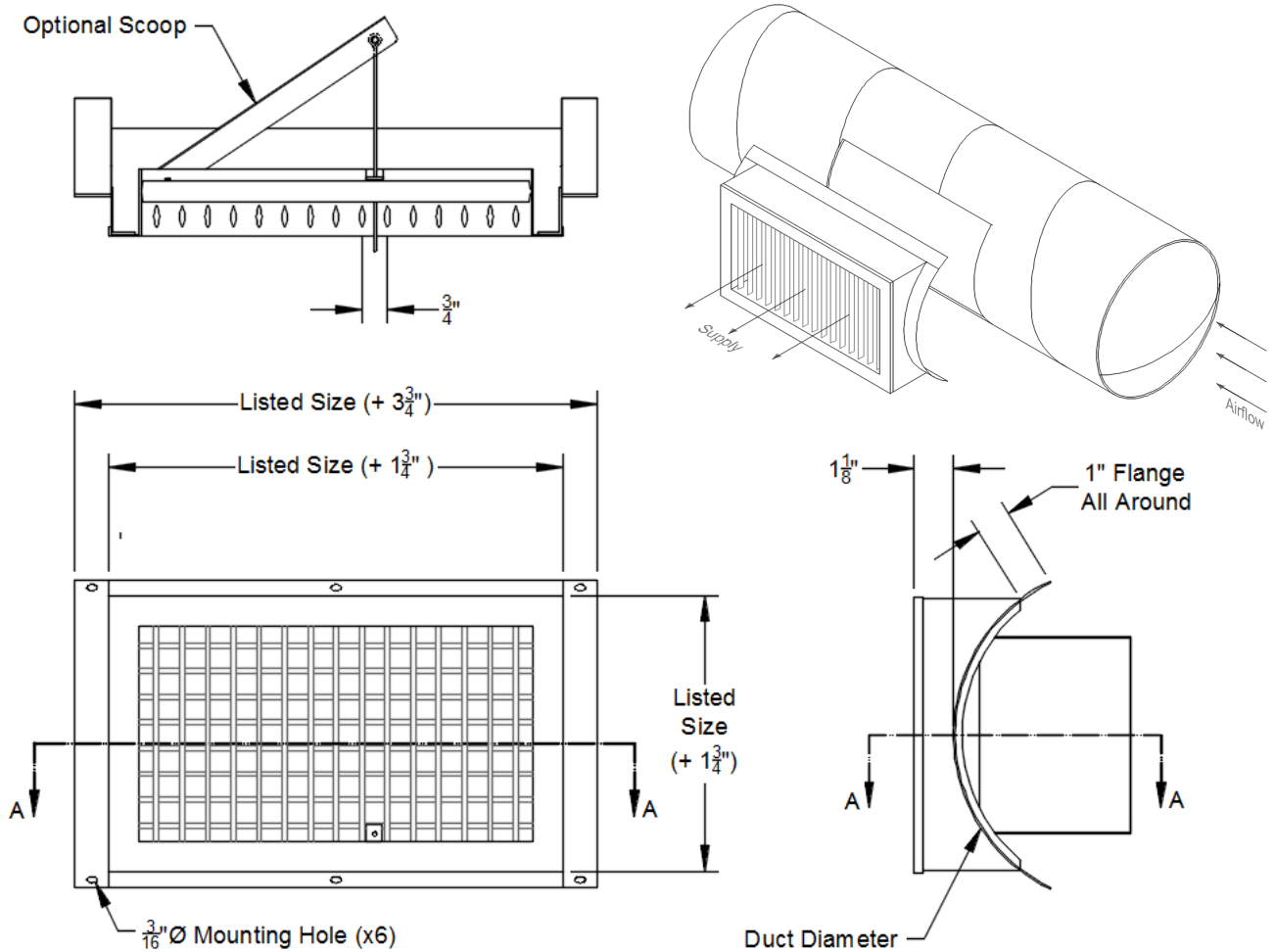


Model: _____ Size: _____ Tag: _____
 Project Name: _____
 Project Location: _____
 Engineer: _____ Contractor: _____
 Distributor: _____ Representative: _____



Features:

- Galvanized Steel Saddle
- Aluminum Grille
- Individually Adjustable Blades
- Airfoil Blades

Construction Options:

- Opposed Blade Damper
- Optional Air Scoop

Finish Options:

- Pristine White Powder Coat Finish
- Aluminum Color Powder Coat Finish

Note: This submittal is meant to demonstrate the general dimensions of this product. The illustrations are not meant to detail every aspect of the product. Drawings are not to scale. T.A. Industries, Inc. reserves the right to make changes without notice or obligations.

TA Industries, Inc. 11130 Bloomfield Ave.
Santa Fe Springs

Tel. 888-TRUAIRE
Fax 562-466-1010

truair.com
mytruairhome.com