

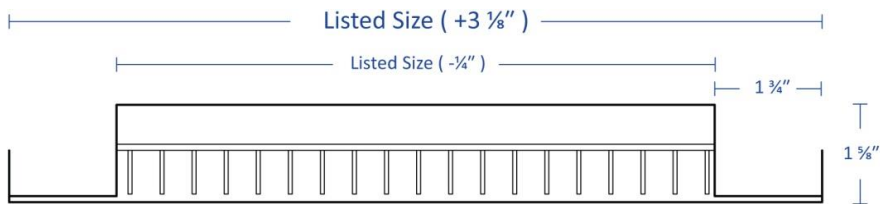
Submitted by: \_\_\_\_\_

Date: \_\_\_\_\_

Universal

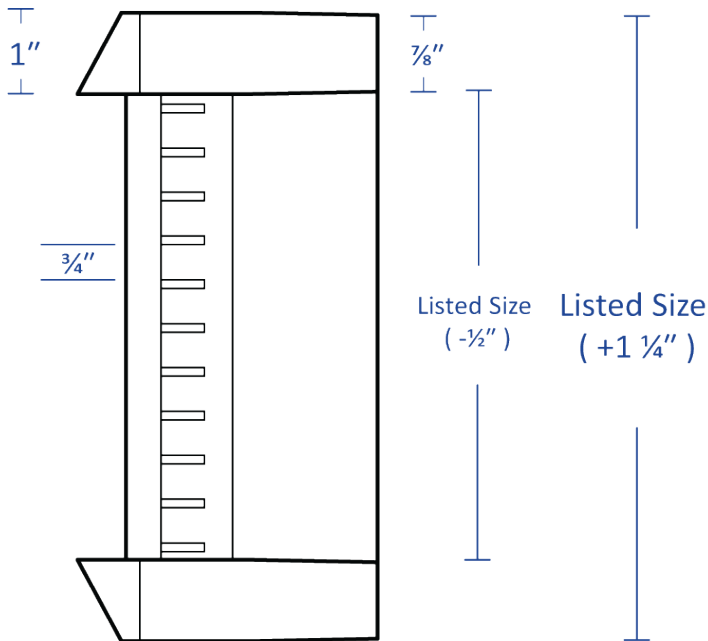
Spiral Diffuser

**Model:**



**Available Options**

- Aluminum Finish
- Scoop
- White finish



**Model Features**

- Double Deflection
- Thick foam layer for any application

**Material:** Aluminum

**Face:** Adjustable Bar Type

**Model Size:**

**Minimum Duct size**

Height	Width								
	10	12	14	16	18	20	24	30	36
3	6	6	6	6	6	6	6	6	6
4	10	10	10	10	10	10	10	10	10
6	12	12	12	12	12	12	12	12	12
8	20	20	20	20	20	20	20	20	20
10			24	24	24	24	24	24	24
12				30	30	30	30	30	30

Project Name: \_\_\_\_\_

Architect: \_\_\_\_\_

Project Location: \_\_\_\_\_

Engineer: \_\_\_\_\_

Contractor: \_\_\_\_\_