



# Dryer Duct Booster<sup>®</sup> Model LB2

**Meets UL 705 DEDPV Requirements.  
Complies with International Residential Code (IRC-2015).**



**FOR  
RESIDENTIAL  
ELECTRIC &  
GAS CLOTHES  
DRYERS**

**BOOST EXHAUST  
VELOCITY IN  
DUCTS UP TO 150  
EQUIVALENT FEET**

**SAVE ENERGY,  
REDUCE DRYING  
TIMES BY UP  
TO 50%**

**5-YEAR WARRANTY  
AND NO-CLOG  
GUARANTEE**

## The Problems:

- Dryer exhaust ducts longer than 25 equivalent feet increase drying times, energy use, lint build-up and the potential for duct fires.
- Typical dryer booster fans collect lint and require scheduled maintenance.

## The Solution: LB2 Dryer Duct Booster<sup>®</sup>

- Reduced drying time, energy use and lint build-up.
- Advanced actuation control with improved pressure sensing reacts to both duct pressure and temperature to consistently operate in sync with the dryer.
- Increased safety by alerting user of a blocked vent or fan malfunction.
- Increased fire safety by alerting user to excessive dryer duct temps. (Booster Fan also turns off if high temps are sensed.)
- Lint Blitzer blower wheel repels lint and delivers consistent performance year after year.
- External motor is not subjected to lint, moisture and temperatures that affect in-line booster fan motors.



**Laundry room mounted status panel lets user know that the Booster Fan is working correctly.**



*Flashing Red and Green LED's...Control calibrates to exhaust duct pressure drop*  
*Slow Flashing Green LED.....Idle state, no dryer operation sensed*  
*Fast Flashing Green LED.....Sensor is detecting dryer turning on or off*  
*Steady Green LED.....Dryer operation sensed, Dryer Booster Fan on*  
*Flashing Red LED.....Blockage sensed or Booster Fan not operating*  
*Steady Red LED.....High temps detected, Booster Fan is shut off*



For best performance install the LB2 Booster Fan as directed below.

Total Duct Length Equivalent Feet*	LB2 Minimum Distance from Dryer in Equivalent Feet*	
	No Secondary Lint Trap	With Secondary Lint Trap 4' from Dryer
30	15	8
60	30	8
90	35	15
120	40	20
150	45	25

Install no closer than 2 feet from exterior hood. Avoid installing elbows within 2 feet of booster fan.

\*Equivalent feet equals linear feet plus 5 additional feet for each 90° elbow and 2.5 feet for each 45° elbow (assumes 4" diameter duct).

Designed to provide years of reliable performance.

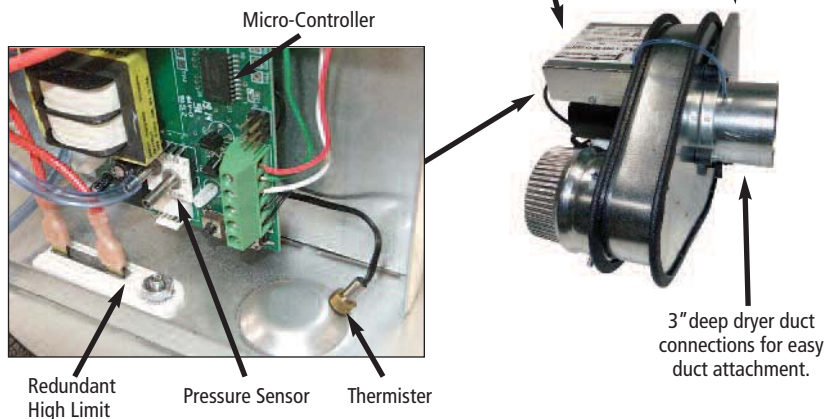
**On-board multi-functional control**

High resolution Pressure Sensor and Temperature Sensing Thermister output data to Micro-Controller to reliably sync Booster Fan operation with the dryer.

The micro-controller communicates with the status panel to alert user to duct restrictions or extreme exhaust temps that could lead to a duct fire. Extreme exhaust temperatures disrupt power to the booster fan.

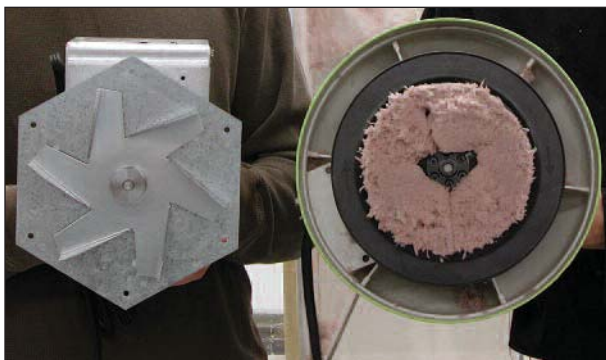
PSC permanently lubricated ball bearing motor is not exposed to heat, lint or moisture. Uses less power than a 50 watt light bulb.

Rubber isolated mounting bracket eliminates vibration transfer. Rotates 360° to accommodate any mounting orientation.

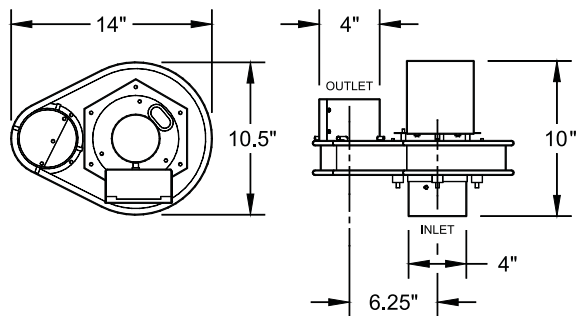


See why the LB2 Lint Blitzer™ blower wheel has a 5-year no-clog guarantee.

Go to [www.dryerboosters.com](http://www.dryerboosters.com) to see for yourself how our Dryer Duct Booster outperforms typical in-line fans in a lint build-up test.



**Dimensions**



Dryer Duct Booster® fans can be installed horizontally or vertically.

Vibration isolated mounting bracket securely holds fan while reducing noise transfer.



Horizontally Mounted



Vertically Mounted

**Specifications**

Model	Voltage	Watts	Amps	CFM
LB2	120 VAC	50	0.5	160



Available From:



**TJERNLUND PRODUCTS, INC.**

1601 Ninth Street White Bear Lake, MN 55110-6794  
 Phone: 651.426.2993 800.255.4208 Fax: 651.426.9547  
 Visit our web site: [www.tjernlund.com](http://www.tjernlund.com)