



UT32 Titan Touchscreen Thermostat



Installation Manual

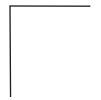
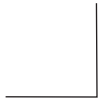


TABLE OF CONTENTS

Introduction	4
Getting Started	5
Installing the Thermostat	6-8
Disassembly	6
Thermostat Location	6
Mounting the Subbase	6-7
Terminal Designations	8
Setting the System Switches	9
System Switch Functions	10
Installing the Batteries	11
Typical System Wiring Diagrams	12-20
Heat only (Gas)	12
Heat only (Electric).....	13
Cool only (Single or Multi-stage)	14
1 Heat / 1 Cool (Gas)	15
2 Heat / 2 Cool (Gas)	16
2 Heat / 1 Cool (Heat Pump)	17
3 Heat / 2 Cool (Heat Pump)	18

TABLE OF CONTENTS

2 Heat / 1 Cool (Dual Fuel)	19
3 Heat / 2 Cool (Dual Fuel)	20
Installer Setup Menu	21-43
Entering the Setup Menu	21
Selecting the Programmable or Non-programmable Operation	22
Selecting Number of Program Events	23
Selecting Mode	24
Selecting Programmable Fan	25
Assigning Auxiliary Contacts	26
Selecting Touchscreen Lock Options	27
Selecting the Cooling Setpoint Limit	28
Selecting the Heating Setpoint Limit	29
Selecting Back Light Option	30
Selecting Adaptive Recovery Option	31
Selecting First Stage Heating and Cooling Differential Option	32
Selecting Second Stage Heating and Cooling Differential Option	33
Selecting Third Stage Heating Differential Option	34
Selecting Demand Staging or Locked Staging Option	35
Sensor Calibration	36
Selecting Low Balance Point Option	37
Selecting High Balance Point Option	38
Selecting Fahrenheit or Celsius	39
Selecting Audible ON/OFF	40

TABLE OF CONTENTS

Timed Ventilation Duration	41
Timed Ventilation Low Temp Limit	42
Timed Ventilation High Temp Limit	43
Daylight Saving Time	44
Remote Sensor Installation	45-47
Remote Sensor Types	45
T-S1 Indoor Sensor Installation	45-46
T-OTS Outdoor Sensor Installation	46
Temperature/Resistance Chart	47
Display Functions	48
Testing	49-53
Fan Operation	49
Conventional Heating	49
Conventional Cooling	49-50
Conventional Heat Pump	50
Dual Fuel	51
Low Balance Point	51-52
High Balance Point	52
Adaptive Recovery	52-53
Programmable Fan	53
Auxiliary Contacts	53
Timed Ventilation Setup	54-55
Basic Troubleshooting	56-57
Specifications	58

INTRODUCTION

The UT32 Titan is a feature-rich touchscreen thermostat that can be battery powered or hardwired to the HVAC equipment. Using a common sense approach to the installation will ensure this product is installed properly and to the customer's satisfaction. Please take time to read and understand this manual so that installation and testing is performed in an efficient manner.

This manual is to be used in conjunction with the supplied User Manual.

Although great care has been taken in the preparation of this manual, iO HVAC Controls takes no responsibility for errors or omissions contained herein. It is the responsibility of the installer to ensure that this thermostat and the equipment connected to it operate in a safe and efficient manner.

Due to ongoing product improvements, iO HVAC Controls reserves the right to change the specifications of the UT32 Titan thermostat or its components without notice.

All rights reserved.

©iO HVAC Controls, LLC 2019.

Intellectual rights apply.

GETTING STARTED

As with any HVAC project, careful installation is the key to a successful outcome. Time taken during the installation process will be rewarded with fewer call-backs.

The steps required to install the UT32 Titan thermostat are as follows.

1. Read and understand this Installation Manual and User Manual.
2. Mount and wire the subbase.
3. Install the batteries.
4. Set the 4 system switches to match the equipment application.
5. Wire optional remote temperature sensor(s).
6. Power the thermostat.
7. Set the Advanced Installer settings.
8. Test the thermostat.

INSTALLING THE THERMOSTAT

DISASSEMBLY

There are two release slots located on the bottom of the thermostat. Gently push the flat blade of a small screwdriver into one slot at a time and pry upward until the catch disengages. Carefully swing the thermostat upward and away from the subbase. (Figure 1)

THERMOSTAT LOCATION

The thermostat should be installed in a location that represents the ambient space temperature. Do not install the thermostat in an area where drafts are present, near the floor, behind doors or on an external wall. Avoid placing the thermostat in areas where the air movement is limited, affected by direct sunlight or other areas not typical of the temperature in the space.

MOUNTING THE SUBBASE

When mounting the thermostat subbase, be aware that drafts may travel down wall cavities and enter the back of the thermostat through the control wire hole in the wall. It is important to seal the hole to prevent any drafts that might affect the internal temperature sensor.

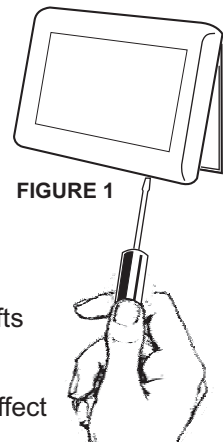


FIGURE 1

INSTALLING THE THERMOSTAT

Pull the control wires through the large opening in the thermostat subbase. Next, level and mount the subbase on the wall using the supplied anchors and screws. (Figure 2)

Do not over tighten the mounting screws as the subbase may warp causing the improper seating of the thermostat connecting pins to the terminal blocks.

Use a properly sized screwdriver and back each screw terminal out (counter clockwise) before landing each wire to its dedicated terminal. Do not over tighten the terminal screws. Check to ensure that all wires are landed correctly and dressed properly to prevent any shorts. Refer to Typical System Wiring Diagrams in this manual for proper wiring.

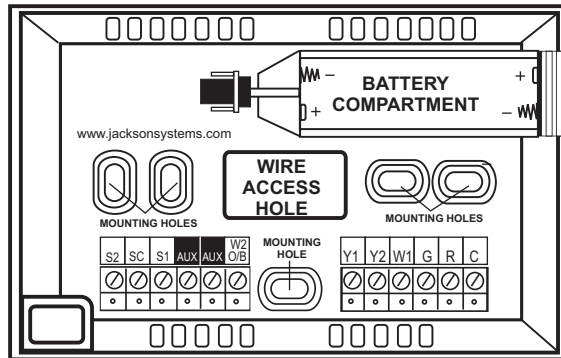


FIGURE 2

INSTALLING THE THERMOSTAT

TERMINAL DESIGNATIONS

TERMINAL	DESIGNATION
S2	Outdoor Sensor
SC	Sensor Common
S1	Indoor Sensor
AUX	Auxiliary Contacts
W2/OB	Second Stage Heat or Reversing Valve
Y1	First Stage Cool or First Stage Compressor
Y2	Second Stage Cool or Second Stage Compressor
W1	First Stage Heat/Auxiliary/Emergency Heat
G	Fan
R	24 VAC Hot
C	24 VAC Common

SETTING THE SYSTEM SWITCHES

The thermostat contains a set of four system switches located on the thermostat printed circuit board. (Figure 3) The switches are used to match the thermostat operation and relay outputs with the HVAC system requirements. Refer to the system switch functions on the next page to properly configure the thermostat.

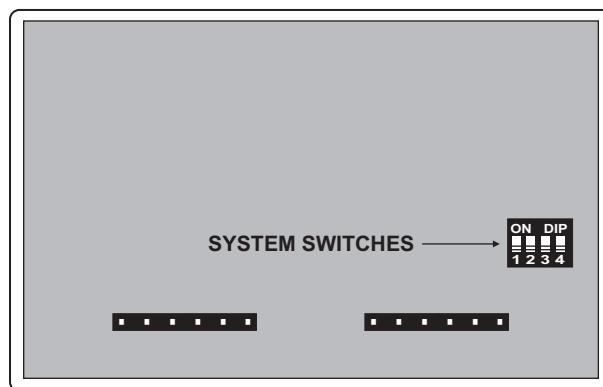


FIGURE 3

SYSTEM SWITCH FUNCTIONS

Switch 1 - Equipment Type

Switch 1 sets the equipment type. For conventional heat/cool equipment, set the switch to the OFF position (factory default). For heat pump equipment set the switch to the ON position.

When Switch 1 is OFF

For gas heat, set the switch to the OFF position (factory default). For electric heat, set the switch to the ON position.

When Switch 1 is ON

For 'O' reversing valve, set the switch to the OFF position. (factory default) For 'B' reversing valve, set the switch to the ON position.

Switch 3 - Equipment Stages

Switch 3 sets the number of equipment stages.
OFF = 1 heat / 1 cool gas / electric or 2 heat / 1 cool heat pump or dual fuel.

ON = 2 heat / 2 cool gas / electric or 3 heat / 2 cool heat pump or dual fuel.

Switch 4 - Dual Fuel Mode

For conventional heat pump equipment, leave switch 4 in the OFF position (factory default). For dual fuel equipment, set switch 4 to the ON position.

INSTALLING THE BATTERIES

The thermostat comes with two AA batteries. Even if the thermostat is hardwired, battery backup is recommended to maintain the real-time clock in the event of a power failure. All other memory is non-volatile in the event of battery or primary power loss. Press in on the battery access compartment and slide the drawer out. Install the two AA batteries matching the + and - orientation. Push the battery compartment in until it clicks shut. When the batteries are properly installed, the touchscreen display will light up. (Figure 4)

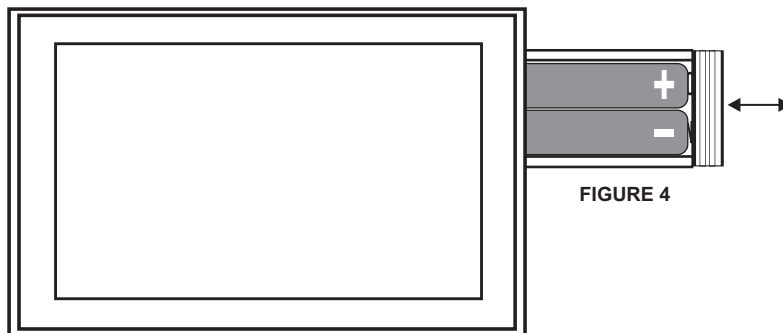
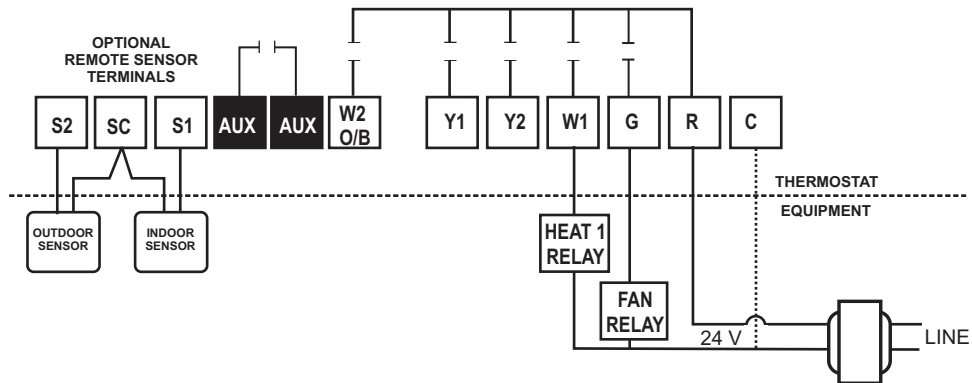


FIGURE 4

TYPICAL SYSTEM WIRING DIAGRAMS

HEAT ONLY (GAS)



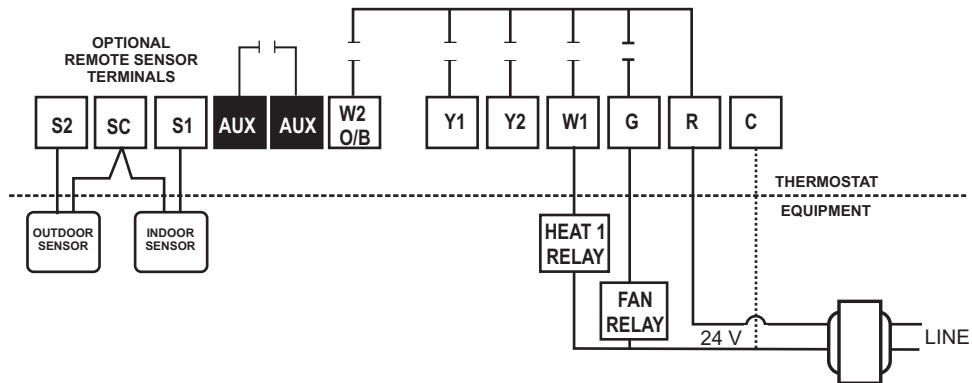
Switch Settings

Switch 1 = OFF
 Switch 2 = OFF
 Switch 3 = OFF
 Switch 4 = OFF

Heat/Cool
 Equipment controls fan on call for heat
 Single Stage
 Leave OFF

TYPICAL SYSTEM WIRING DIAGRAMS

HEAT ONLY (ELECTRIC)



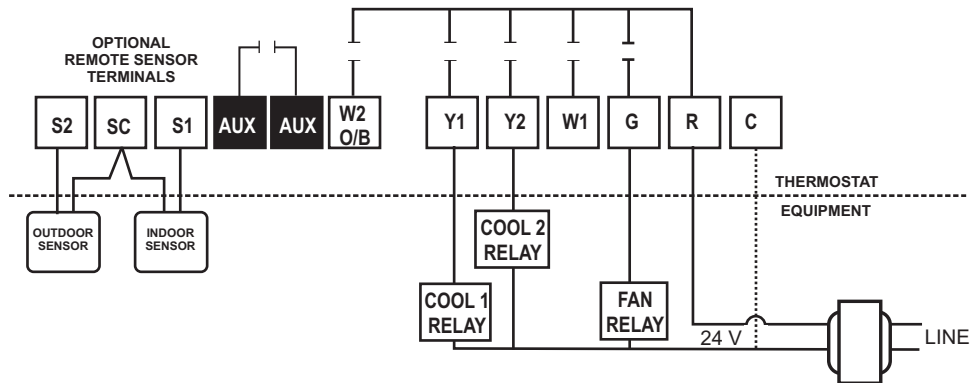
Switch Settings

Switch 1 = OFF
 Switch 2 = ON
 Switch 3 = OFF
 Switch 4 = OFF

Heat/Cool
 Thermostat controls fan on call for heat
 Single Stage
 Leave OFF

TYPICAL SYSTEM WIRING DIAGRAMS

COOL ONLY (SINGLE OR MULTI-STAGE)



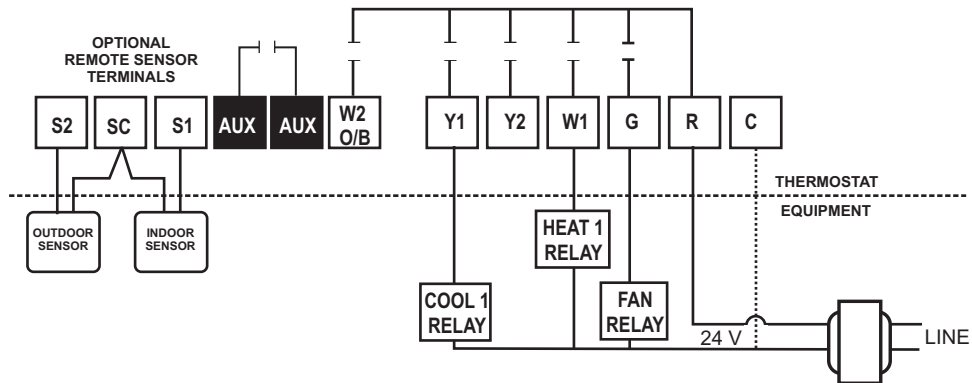
Switch Settings

- Switch 1 = OFF
- Switch 2 = OFF
- Switch 3 = OFF/ON
- Switch 4 = OFF

- Heat/Cool
- Fan energized on call for cooling
- OFF = Single Stage ON = Multi-stage
- Leave OFF

TYPICAL SYSTEM WIRING DIAGRAMS

1 HEAT/1 COOL (GAS)



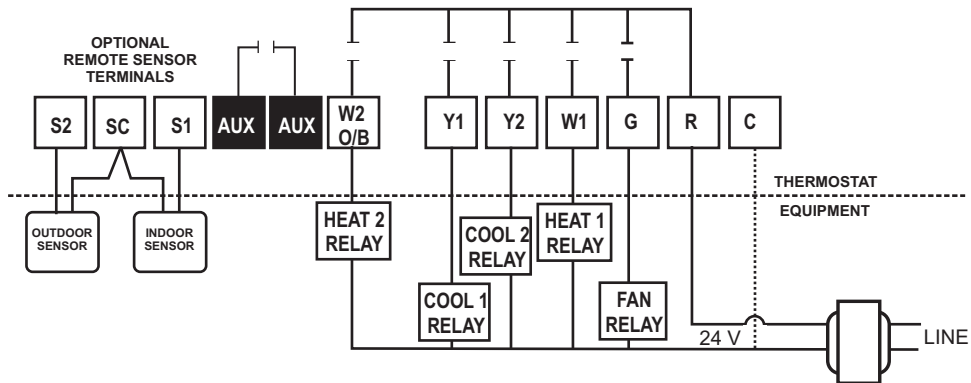
Switch Settings

- Switch 1 = OFF
- Switch 2 = OFF
- Switch 3 = OFF
- Switch 4 = OFF

- Heat/Cool
- Fan energized on call for cooling
- Single Stage
- Leave OFF

TYPICAL SYSTEM WIRING DIAGRAMS

2 HEAT/2 COOL (GAS)



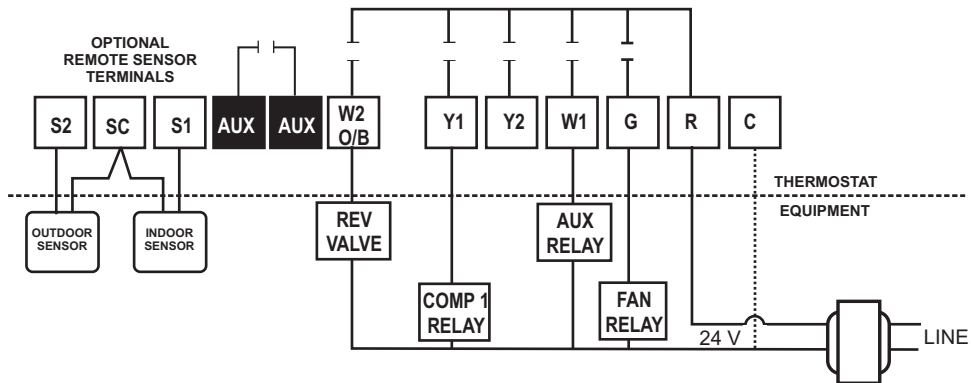
Switch Settings

Switch 1 = OFF
 Switch 2 = OFF
 Switch 3 = ON
 Switch 4 = OFF

Heat/Cool
 Fan energized on call for cooling
 Multi-stage
 Leave OFF

TYPICAL SYSTEM WIRING DIAGRAMS

2 HEAT/1 COOL (HEAT PUMP)

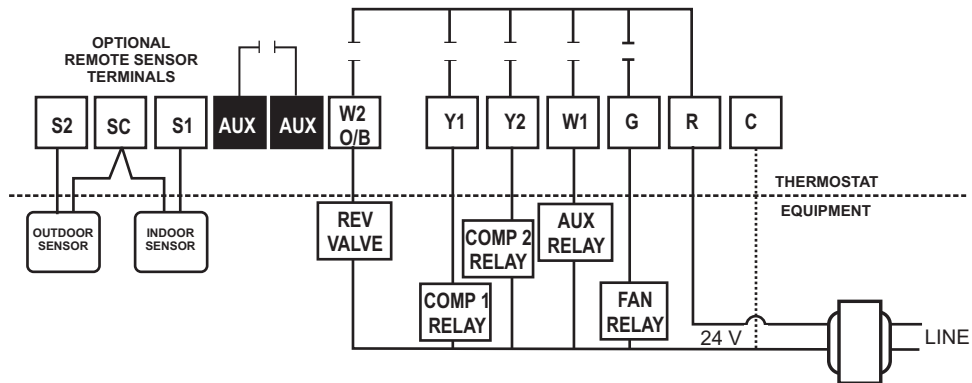


Switch Settings

Switch 1 = ON	Heat Pump
Switch 2 = OFF/ON	OFF = 'O' ON = 'B'
Switch 3 = OFF	2 Heat / 1 Cool HP
Switch 4 = OFF	Leave OFF

TYPICAL SYSTEM WIRING DIAGRAMS

3 HEAT/2 COOL (HEAT PUMP)

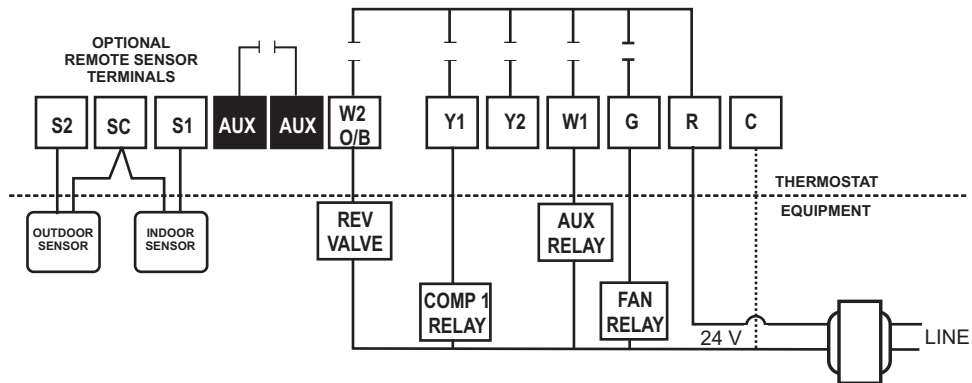


Switch Settings

Switch 1 = ON	Heat Pump
Switch 2 = OFF/ON	OFF = 'O' ON = 'B'
Switch 3 = ON	3 Heat / 2 Cool HP
Switch 4 = OFF	Leave OFF

TYPICAL SYSTEM WIRING DIAGRAMS

2 HEAT/1 COOL (DUAL FUEL)



Switch Settings

Switch 1 = **ON**

Switch 2 = **OFF/ON**

Switch 3 = **OFF**

Switch 4 = **ON**

Heat Pump

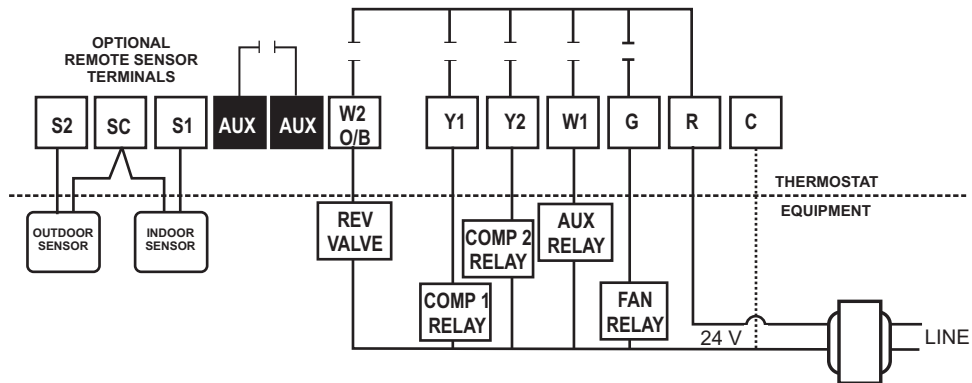
OFF = 'O' **ON** = 'B' Reversing Valve

2 Heat / 1Cool dual fuel

Locks out heat pump when furnace is energized

TYPICAL SYSTEM WIRING DIAGRAMS

3 HEAT / 2 COOL (DUAL FUEL)



Switch Settings

Switch 1 = **ON**

Switch 2 = **OFF/ON**

Switch 3 = **ON**

Switch 4 = **ON**

Heat Pump

OFF = 'O' **ON** = 'B' Reversing Valve

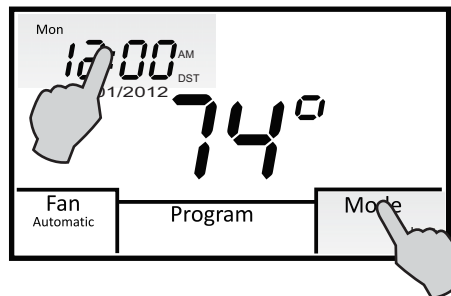
3 heat / 2 cool dual fuel

Locks out heat pump when furnace is energized

INSTALLER SETUP MENU

ENTERING THE SETUP MENU

Tap the display to bring the back light on then press and hold both the **Clock** and **Mode** section for 5 seconds to enter the Installer Menu.



To advance through the menu, touch Next.

To back up in the menu, touch Back.

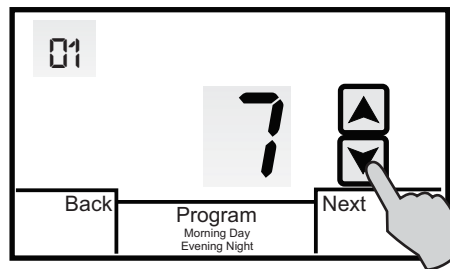
To exit the menu at any time and save changes, press and hold Next for 4 seconds.

NOTE: Depending on thermostat configuration, some menu items may not appear.

INSTALLER SETUP MENU

SELECTING THE PROGRAMMABLE OR NON-PROGRAMMABLE OPERATION

The first menu 01 selects programmable or non-programmable operation. Press the **UP** or **DOWN** arrows to change the selection. The factory default is 7.

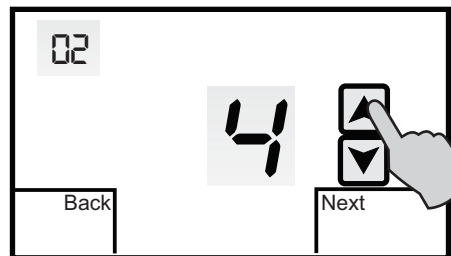


7 = 7-Day Programmable (Factory Default)
0 = Manual Mode (Non-programmable)

INSTALLER SETUP MENU

SELECTING NUMBER OF PROGRAM SCHEDULES (ONLY DISPLAYED WHEN 01 = 7)

If menu 01 is set to 7, the thermostat can be configured for 4 or 2 schedules per day. The factory default is 4.

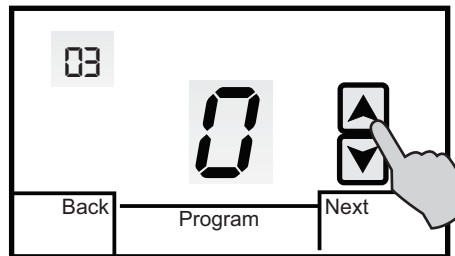


4 = 4 schedules per day (Factory Default)
2 = 2 schedules per day

INSTALLER SETUP MENU

SELECTING MODE

Menu 03 selects the mode of operation. The factory default is **0**.

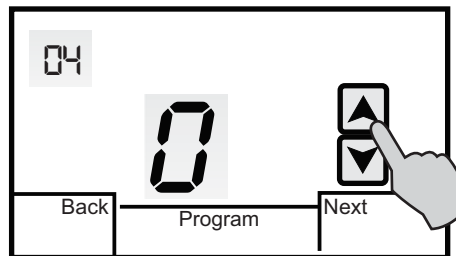


- 0 = Auto-changeover (Heat/Cool/Auto/Off for Heat/Cool)
(Heat/Cool/Auto/EHeat/Off for Heat Pump (Factory Default))**
- 1 = Manual Changeover (Heat/Cool/Off) or (Heat/Cool/E.Heat/Off)**
- 2 = Heating Only (Heat/Off) or (Heat/E.Heat/Off)**
- 3 = Cooling Only (Cool/Off)**

INSTALLER SETUP MENU

SELECTING PROGRAMMABLE FAN

Menu 04 selects the Programmable Fan option which allows selecting continuous or auto fan operation for each program event when programmable mode is selected. The factory default is **0**.



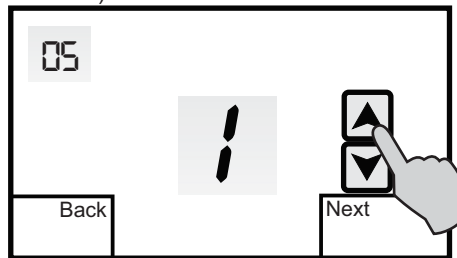
- 0 = No Programmable Fan (Factory Default)**
- 1 = Programmable Fan**

Refer to the User Manual for selecting continuous or auto fan for each scheduled event when the Programmable Fan option is ON.

INSTALLER SETUP MENU

ASSIGNING AUXILIARY CONTACTS

Menu 05 assigns the auxiliary dry relay contacts (AUX) as Normally Open or Normally closed when the Programmable Fan Option 04 is ON. Whenever Programmable Fan is in the **Always On** mode (constant ventilation) for a selected program period, the relay contact will go open or closed based on the auxiliary relay option selection. The auxiliary contacts are also used to open an outside air damper when Timed Ventilation is selected. (See details on page 55 and 56)

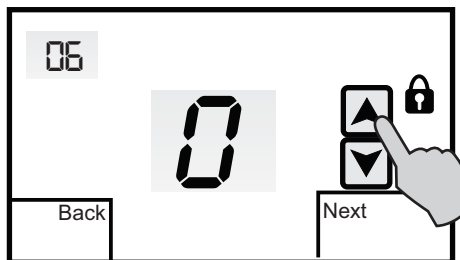


- 1 = Relay contacts closed when Programmable Fan is ON (Factory Default)
- 2 = Relay contacts open when Programmable Fan is ON
- 3 = Relay contacts used for Timed Ventilation

INSTALLER SETUP MENU

SELECTING TOUCHSCREEN LOCK OPTIONS

Menu 06 allows you to prevent changes to all or part of the touchscreen functions. The factory default is **0**. Touch the **UP** or **DOWN** arrows to change the selection.

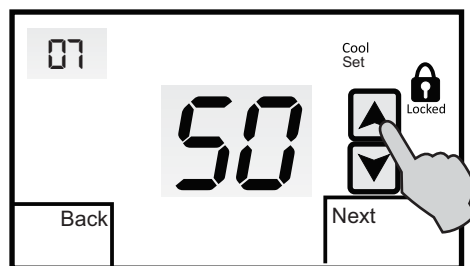


- 0 = All functions unlocked (Factory Default)**
- 1 = All functions locked except setpoint adjustment**
- 2 = All functions locked**

INSTALLER SETUP MENU

SELECTING THE COOLING SETPOINT LIMIT

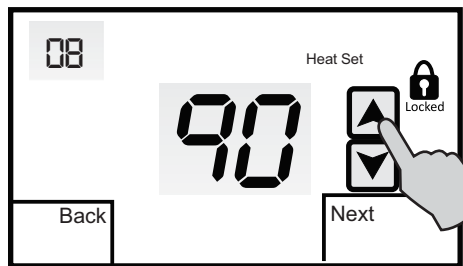
Menu 07 selects the minimum cooling setpoint. The factory default is **50**. Touch the **UP** or **DOWN** arrows to adjust the limit from 43° - 122°F.



INSTALLER SETUP MENU

SELECTING THE HEATING SETPOINT LIMIT

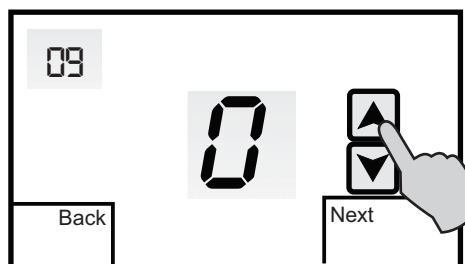
Menu 08 selects the maximum heating setpoint limit. The factory default is **90**. Touch the **UP** or **DOWN** arrows to adjust the limit from 41° - 120°F.



INSTALLER SETUP MENU

SELECTING BACK LIGHT OPTION

Menu 09 allows you to select the back light option. The factory default is **0**. Touch the **UP** or **DOWN** arrows to change the display option.

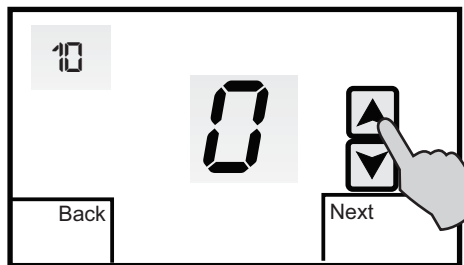


- 0 = Back Light on for 10 seconds when screen is touched**
- 1 = Back Light on high for 10 seconds when screen is touched and then low continuously. (Thermostat must be hardwired to 24VAC for this option)**

INSTALLER SETUP MENU

SELECTING ADAPTIVE RECOVERY OPTION

Menu 10 allows you to select the Adaptive Recovery option. **Only displayed when 01 is set to 7.** Adaptive Recovery compares the space temperature deviation from setpoint and rate of recovery history to bring the equipment on and reach the setpoint at the scheduled start time. The factory default is **0**. Touch the **UP** or **DOWN** arrows to select this option.

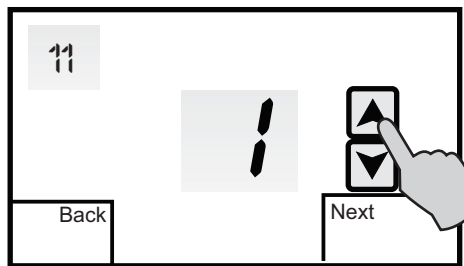


- 0 = No Adaptive Recovery (Factory Default)
- 1 = Adaptive Recovery On (For programmable mode only)

INSTALLER SETUP MENU

SELECTING FIRST STAGE HEATING AND COOLING DIFFERENTIAL OPTION

Menu 11 is used to adjust the heating and cooling differential. The factory default is (1°F). This represents the temperature above the cooling setpoint or below the heating setpoint when the equipment is energized. Touch the **UP** or **DOWN** arrows to change the differential.

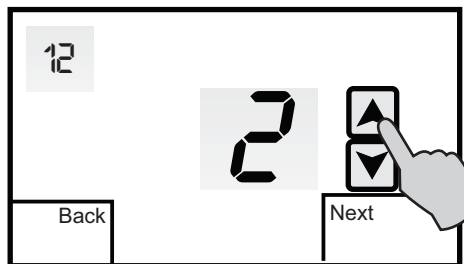


- 1 = 1°F Differential
- 2 = 2°F Differential
- 3 = 3°F Differential

INSTALLER SETUP MENU

SELECTING SECOND STAGE HEATING AND COOLING DIFFERENTIAL OPTION

Menu 12 is used to adjust the second stage heating and cooling differential. The factory default is **2** (2°F). This represents the temperature above the first stage cooling differential or below the first stage heating differential when second stage is energized. Touch the **UP** or **DOWN** arrows to change the differential.

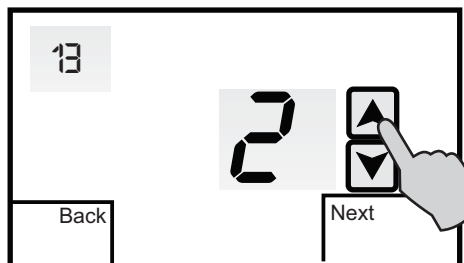


Adjustable from 1 - 10°F in 1° increments

INSTALLER SETUP MENU

SELECTING THIRD STAGE HEATING DIFFERENTIAL OPTION

Menu 13 is used to adjust the third stage heating differential. **Only displayed when SW1 and SW 3 are ON.** The factory default is **2** (2°F). This represents the temperature below the second stage heating differential when third stage heat is energized. Touch the **UP** or **DOWN** arrows to change the differential.

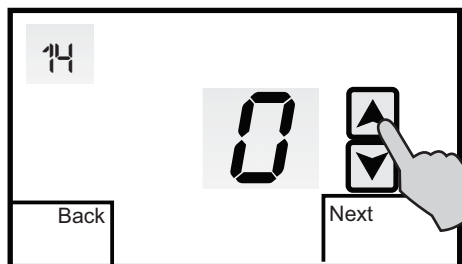


Adjustable from 1 - 10°F in 1° increments

INSTALLER SETUP MENU

SELECTING DEMAND STAGING OR LOCKED STAGING OPTION

Menu 14 is used to select how the thermostat will stage the equipment. The factory default is **0** which = **Demand Staging**. Demand Staging allows the thermostat to upstage or downstage the equipment based on the stage differential settings. In dual fuel setup, the thermostat will not downstage to compressor if fossil fuel is energized. **1 = Locked Staging**. Locked Staging allows the thermostat to upstage the equipment based on the stage differential settings but locks in each stage until the setpoint is reached. (No downstaging)

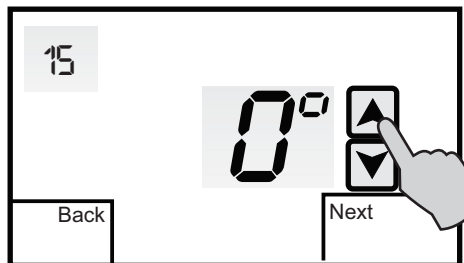


0 = Demand Staging (Factory Default)
1 = Locked Staging

INSTALLER SETUP MENU

SENSOR CALIBRATION

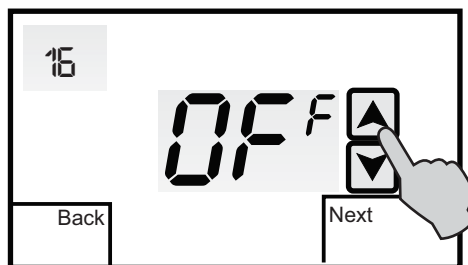
Menu 15 allows you to re-calibrate the internal or a single indoor remote sensor. When a remote sensor is wired to the SC and S1 terminals, the internal sensor is automatically disabled. The factory default is **0** (0°F). Touch the **UP** or **DOWN** arrows to adjust the calibration from -9° to +9°F.



INSTALLER SETUP MENU

SELECTING LOW BALANCE POINT OPTION

Menu 16 allows you to select a low balance point setting when the thermostat is configured for Heat Pump or Dual Fuel and an outdoor sensor is used. When the outdoor temperature falls below the balance point setting, the compressor is locked out and only auxiliary electric heat or dual fuel furnace is used for heating. The factory default is **OFF**. Touch the **UP** or **DOWN** arrows to select a low balance point setting.

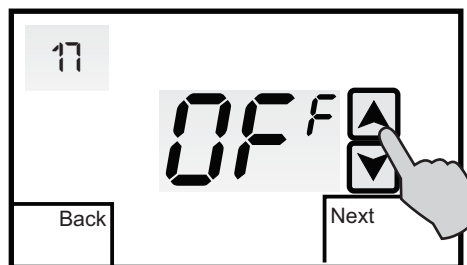


Adjustable from OFF, 1° to 77°F
Remote outdoor sensor must be used

INSTALLER SETUP MENU

SELECTING HIGH BALANCE POINT OPTION

Menu 17 allows you to select a high balance point setting when the thermostat is configured for Heat Pump or Dual Fuel. When the outdoor temperature rises above the balance point setting, the auxiliary electric heat or dual fuel furnace is locked out and only the heat pump is used for heating. The factory default is **OFF**. Touch the **UP** or **DOWN** arrows to select a high balance point setting.

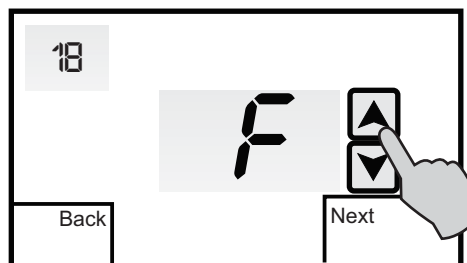


Adjustable from OFF, 32° to 122°F
Remote outdoor sensor must be used

INSTALLER SETUP MENU

SELECTING FAHRENHEIT OR CELSIUS

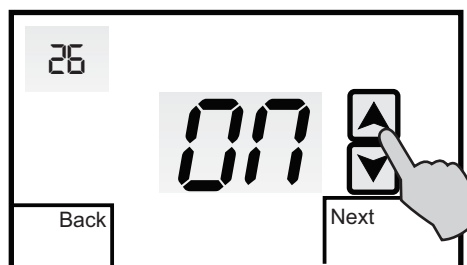
Menu 18 allows you to select temperature readings and temperature setpoints in Fahrenheit or Celsius. The factory default is **F** (Fahrenheit). Touch the **UP** or **DOWN** arrows to select **C** (Celsius).



INSTALLER SETUP MENU

SELECTING AUDIBLE ON/OFF

Menu 26 allows you to select an audible beep whenever the screen is touched or to silence the beep. The factory default is audible beep **ON**. Touch the **UP** or **DOWN** arrows to change the selection.

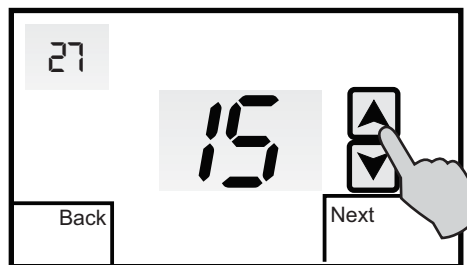


ON = Audible Beep
OFF = Audible Beep Silenced

INSTALLER SETUP MENU

TIMED VENTILATION DURATION

Menu 27 is used to select Timed Ventilation when Menu 05 is set to 3. Timed Ventilation is used to bring outside air into the home at a controlled CFM rate based on ASHRAE 62.2 - 2013 Ventilation and Indoor Air Quality Standard. See Ventilation Reference Chart on page 54 to calculate ventilation minutes per hour.

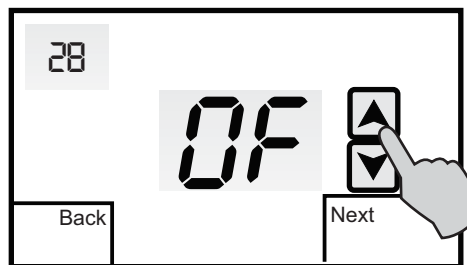


**Range = 0-60 minutes in 1 minute increments.
Factory Default = 15 minutes.**

INSTALLER SETUP MENU

TIMED VENTILATION LOW TEMPERATURE LIMIT

Menu 28 is used to select a low outdoor temperature when a remote outdoor sensor is installed. If the temperature is lower than or equal to the selected value, Timed Ventilation is suspended. Menu 28 is only displayed if thermostat is fitted with an outdoor sensor.

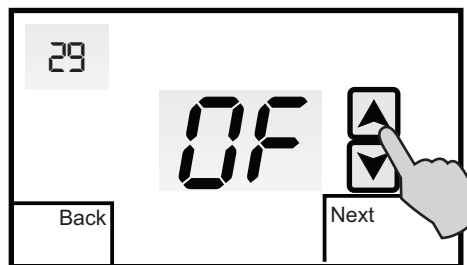


Range = OFF - 0-50 degrees in 1 degree increments.
Factory Default = OFF.

INSTALLER SETUP MENU

TIMED VENTILATION HIGH TEMPERATURE LIMIT

Menu 29 is used to select a high outdoor temperature limit when a remote outdoor sensor is installed. If the temperature is higher than or equal to the selected value, Timed Ventilation is suspended. Menu 29 is only displayed if thermostat is fitted with an outdoor sensor.

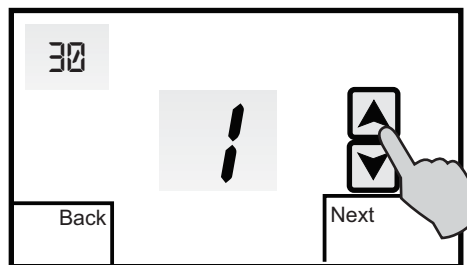


Range = OFF - 60-90 degrees in 1 degree increments.
Factory Default = OFF.

INSTALLER SETUP MENU

DAYLIGHT SAVING TIME

Menu 30 is used to enable or disable Daylight Saving Time (DST). In areas of the country where DST is not observed, the feature can be disabled. Touch the **UP** or **DOWN** arrows to change the selection.



1 = DST (Factory Default)
0 = DST Disabled

REMOTE SENSOR INSTALLATION

REMOTE SENSOR TYPES

The thermostat can accommodate both an indoor and outdoor remote sensor. For indoor applications, the TS-1 remote sensor can be wired to the thermostat **SC** and **S1** terminals. Each sensor contains two thermistors wired in series with a switch to select one or both sensors. This reduces the total number of sensors required for series/parallel temperature averaging. Whenever an indoor remote sensor is used, the thermostat's internal sensor is automatically disabled.

The T-OTS outdoor remote sensor is wired to the **SC** and **S2** terminals. The outdoor sensor thermistor is housed in a waterproof encapsulation and is ideally suited for ambient conditions ranging from -40 to 140°F and humidity levels of 5 to 95% RH (non-condensing).

T-S1 INDOOR SENSOR INSTALLATION

Locate the sensor in the same manner as the thermostat. Mount the sensor 18" away from any outside wall. Do not install the sensor behind doors, in corners or other dead air spaces. Keep the sensor away from direct air flow, supply registers or near sources of heat such as lamps and appliances.

REMOTE SENSOR INSTALLATION

Use a separate 18-2 shielded cable for sensor wiring. Prior to wiring the sensor to the thermostat, use an ohm-meter or multi-meter to measure the resistance of the sensor. Measure at the end of the wires that will connect to the thermostat. Confirm the resistance value (within 5%) to the temperature where the sensor is mounted. Refer to the Temperature/Resistance Chart on page 41 of this manual. Use a high quality, digital electronic thermometer to read the temperature at the sensor. Remove the sensor cover and place the thermometer probe next to the thermistor to verify an accurate reading. Disconnect power to the thermostat when wiring the sensor to the proper sensor terminals. Strip only as much insulation off of the wires as necessary to provide a good contact with the terminals. The sensor is not polarity specific so either sensor lead may be connected to either designated terminal on the thermostat. Refer to the T-S1 installation guide for additional information.

T-OTS OUTDOOR SENSOR INSTALLATION

When the T-OTS is wired to the UT32, it will display the outside air temperature as well as control high and low balance points for heat pump or dual fuel systems. Refer to the T-OTS installation guide for additional information.

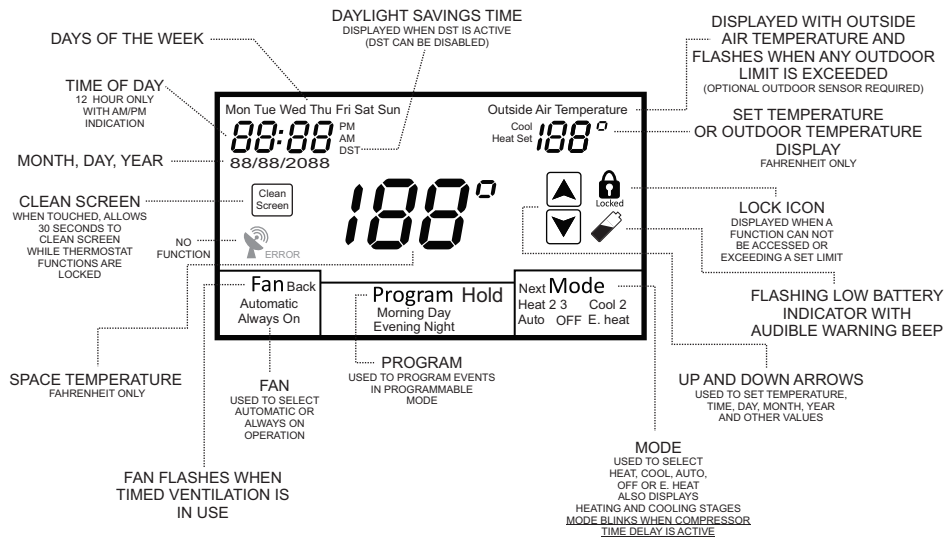
REMOTE SENSOR INSTALLATION

TEMPERATURE/RESISTANCE CHART

Temperature (°F)	Resistance (KΩ)	Temperature (°F)	Resistance (KΩ)
30	34.6	70	11.9
40	26.1	80	9.4
50	19.9	90	7.4
60	15.3	100	5.9

NTC type 2 sensor - 10KΩ @ 77° F

DISPLAY FUNCTIONS



TESTING

FAN OPERATION

Touch **Mode** until the word **OFF** is displayed. Touch **FAN** until the words **Always On** appear. After a brief moment, the internal fan relay 'G' will energize and the system fan should operate. Touch **FAN** again until the word **Automatic** appears. After a brief moment, the internal fan relay will de-energize and the system fan will shut off.

CONVENTIONAL HEATING

Touch **Mode** until the word **Heat** appears. Touch the **UP** arrow and raise the setpoint above the space temperature and the first stage differential. After a brief moment, the internal heating relay 'W1' will energize and the heating system should operate. The word **Heat** will flash continuously. If the thermostat has been configured for two stage heating, raise the setpoint above the second stage differential and **Heat 2** will flash indicating the 'W2' heating relay is energized. Touch **Mode** until the word **OFF** is displayed.

CONVENTIONAL COOLING

Touch **Mode** until **Cool** appears. Touch the **DOWN** arrow and lower the setpoint below the space temperature and the first stage differential.

TESTING

Note: On a call for cooling, the thermostat activates a 3 minute time delay before the cooling relay 'Y1' is energized. **Mode** will flash to indicate the thermostat is in time delay. After the time delay, the internal fan 'G' and cooling relay 'Y1' will energize. The word **Cool** will flash. If the thermostat has been configured for two stage cooling, lower the setpoint below the second stage differential and **Cool 2** will flash indicating the 'Y2' cooling relay is energized. Touch **Mode** until the word **OFF** is displayed.

CONVENTIONAL HEAT PUMP

When the thermostat is configured for conventional heat pump operation, testing is the same as a heating and cooling system with the exception that a 3 minute time delay is activated before the 'Y1' compressor relay will energize on a call for heating or cooling. **Mode** will flash to indicate the thermostat is in time delay. Depending on the mode of operation and equipment configuration, **Heat** or **Cool** will flash when the 'Y1' compressor relay is energized. **Heat 2** or **Cool 2** will flash when the 'Y2' compressor relay is energized. **Heat 2 3** will flash when the auxiliary 'W1' relay is energized. **E.Heat** will flash when the mode is set to emergency heat. After testing, touch **Mode** until the word **OFF** is displayed.

TESTING

DUAL FUEL

When the thermostat is configured for dual fuel operation, testing is the same as a heating and cooling system with the exception that a 3 minute time delay is activated before the 'Y1' compressor relay will energize on a call for heating or cooling. **Mode** will flash to indicate the thermostat is in time delay. Depending on the mode of operation and equipment configuration, **Heat** or **Cool** will flash when the 'Y1' compressor relay is energized. **Heat 2** or **Cool 2** will flash when the 'Y2' compressor relay is energized. **Heat 3** will flash when the auxiliary 'W1' relay is energized. **E.Heat** will flash when the mode is set to emergency heat. Whenever the thermostat calls for auxiliary heat, the heat pump compressor or compressors will be de-energized and the auxiliary heat will remain on until the call is satisfied.

LOW BALANCE POINT (Heat Pump or Dual Fuel)

When an outdoor sensor is used with the thermostat, Installer Option 16 allows you to select a low balance point temperature. When the outdoor temperature falls below the low balance point setting, a call for heat from the thermostat automatically energizes the 'W1' relay and bypasses the 'Y1' compressor relay.

TESTING

To test the low balance point setting, set Option 16 above the displayed outdoor temperature and force a call for heating. Only the auxiliary heat relay 'W1' should energize. After testing, reset the low balance point setting to a normal operating range.

HIGH BALANCE POINT (Heat Pump or Dual Fuel)

High balance point is designed to prevent the auxiliary heat 'W1' relay from energizing when the outdoor temperature is above the balance point setting. To test the high balance point setting, set Option 17 below the displayed outdoor temperature and force a call for auxiliary heat. Only the compressor 'Y1' and/or 'Y1' and 'Y2' should energize. If the thermostat is placed in the **E.Heat** (emergency heat) mode, the 'W1' relay will energize. After testing, reset the high balance point setting to a normal operating range.

ADAPTIVE RECOVERY

Adaptive Recovery is only available in programmable mode (Installer Option 01 = 7) The Adaptive Recovery function of the thermostat permits the user to program a time that a desired set temperature is required. The thermostat then calculates the most energy efficient time to bring on the equipment to reach the setpoint at

TESTING

the designated time.

PROGRAMMABLE FAN

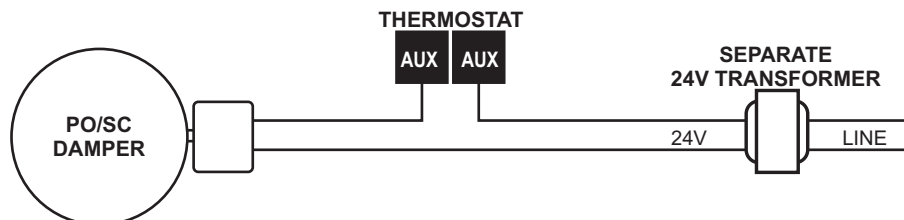
Programmable Fan (Installer Option 04 = 0) is used to program the fan operation along with the thermostat schedule. This is a very convenient feature that allows selecting continuous (Always ON) or Automatic fan operation for each scheduled event. When Programmable Fan is used, the fan operation can still be overridden at the thermostat and will remain in the override mode until the next scheduled event.

AUXILIARY CONTACTS

The Auxiliary Contacts (Installer Option 05) provide a selectable normally open (1) or normally closed (2) dry contact output that works in conjunction with the Programmable Fan feature when the thermostat is configured for programmable mode. When the fan is in continuous (Always ON) mode, the auxiliary relay coil is energized and de-energizes in Automatic mode. The Auxiliary Contacts may also be used for Timed Ventilation when Installer Option 05 is set to 3.

AUXILIARY CONTACTS

The auxiliary dry contacts can be used with the Programmable Fan feature when the Programmable Fan Option 04 is ON. They can also be used for Timed Ventilation when Option 05 is set to 3. Timed Ventilation is designed to improve residential indoor air quality by introducing fresh, outside air through a 2-wire, power open / spring closed motorized intake damper controlled by the thermostat. The thermostat controls the amount of fresh air required each hour based on ASHRAE 62.2 - 2013 Ventilation and Indoor Air Quality Standard. The reference chart on the next page provides the ventilation timer setting based on using an 8" outside air damper ducted to the return air plenum on the HVAC system. A separate 24 volt transformer should be used to power the damper.



TIMED VENTILATION SETUP

The reference chart below provides the ventilation timer setting (Installer Option 27) based on using 8" rigid straight duct with friction loss of 0.1" w.g. per 100 ft. This chart can be used for most applications.

VENTILATION TIMER SETTING (MINUTES PER HOUR)						
NUMBER OF BEDROOMS		ONE	TWO	THREE	FOUR	FIVE
HOME SIZE (Ft ²)	<500	8	10	12	15	16
	501-1000	12	15	16	19	21
	1001-1500	16	19	21	23	25
	1501-2000	21	23	25	27	29
	2001-2500	25	27	29	31	33
	2501-3000	29	31	33	35	37
	3001-3500	33	35	37	39	41
	3501-4000	37	39	41	43	45
	4001-4500	41	43	45	47	49
	4501-5000	45	47	49	51	53

BASIC TROUBLESHOOTING

SYMPTOM	POSSIBLE FAULT AND REMEDY
No LCD display	If the thermostat is battery powered only, remove the battery compartment and check to see that the positive (+) and negative (-) ends of each battery are oriented properly. Also make sure that the thermostat is securely attached to the subbase with no exposed gaps.
Thermostat can not be set for auto changeover	Installer Option 03 needs to be set to 0 to provide Heat/Auto/Cool/Off operation or Heat/Auto/Cool/Emergency Heat/Off for heat pumps. 03 = 1 Manual Changeover (Heat/Cool/Off) 03 = 2 Heat Only (Heat/Off) 03 = 3 Cool Only (Cool/Off)
Temperature display inaccurate	Air from wall cavity may be leaking into the rear of the thermostat. Seal hole where wiring enters subbase to prevent air infiltration. External influence from appliances, lighting or drafts may be affecting temperature accuracy. Move lamps or other sources of heat away from thermostat.
Thermostat not displaying outdoor temperature	Check wiring at outdoor sensor and sensor terminals on subbase. Outdoor sensor wires to terminals S2 and SC.

BASIC TROUBLESHOOTING

SYMPTOM	POSSIBLE FAULT AND REMEDY
Heat or Cool is flashing	This is not a fault but indicates that the thermostat heating or cooling relay is energized. Depending upon the equipment configuration, Heat 2 or Cool 2 will also be displayed if a second stage is energized. Heat 3 is also displayed for heat pumps having three heating stages.
Lock icon is displayed when trying to set a higher or lower temperature	This is not a fault. The thermostat heating and cooling limits are preventing setting a temperature above or below the limit values. These values can be changes in the Installer Menu. 07 = Cooling Limit. Factory default is 50° F. Adjustable from 43° F to 122° F. 08 = Heating Limit. Factory default is 90° F. Adjustable from 41° F to 120° F.
The fan continues to run after a heating or cooling call is satisfied	The thermostat fan mode may be set to Always On. Touch the fan icon and change it to Automatic. When the thermostat is configured as a programmable thermostat, the fan operation can be programmed for Automatic or Always On with each event. If the Programmable Fan feature is not required, set Option 04 = 1.
Some functions cannot be changed and a padlock	Lock values have been set. Refer to Installer Option menu 06. To remove all lock values, set 06 = 0.

SPECIFICATIONS

Input Voltage (Hardwired)	20-30 VAC 50/60 Hz
Relay Rating	24 VAC @ 1 Amp maximum per relay
Battery Power	(2) AA 1.5 V
Operating Temperature	32° F to 150° F
Operating Relative Humidity	0-95% RH (non-condensing)
Storage Temperature	32° F to 150° F
Overall Size	5.5" W x 3.75" H x 1.312" D
LCD Display Size	4.125" W x 2.375" H
Back Light	Blue LED
Short-cycle Delay	4 minutes
Displayed Temperature Resolution	1° F
Setpoint Range	
Heating	41° F - 120° F
Cooling	43° F - 122° F
Heating and Cooling Limits	Fully adjustable
Onboard and Remote Sensors	NTC type 2
Resistance	10KΩ @ 77° F
Tolerance	+ / - 3% @ 77° F
Warranty	5 years



www.iohvaccontrols.com
For Technical Support Call Toll Free: 866-225-5032

iO-06-1242-040919