

The iO HVAC Controls Wireless Relay is the perfect solution when you can't run wire or existing wires have been cut or damaged. The Wireless Relay communicates wirelessly up to 100' between two devices via a 915MHz radio frequency. The Wireless Relay Kit contains 2 four-channel transceivers. The base module has 3 transmitting channels and 1 receiving channel. The satellite module has 3 receiving channels and 1 transmitting channel. The relays can be used to turn on and off, control or monitor heating and cooling equipment, condensing units, fans, pumps, lighting, and industrial equipment.



### Features and Benefits:

**Can wirelessly control or monitor the following:**

- Cooling equipment
- Heating equipment
- Condensing units
- Fans, pumps, lighting
- Industrial equipment
- Built-in signal strength indicator
- Satellite transceiver is equipped with weatherproof gasket so no separate enclosure needed to be outdoors

### Warranty:

1 Year

## Specifications: Base Module

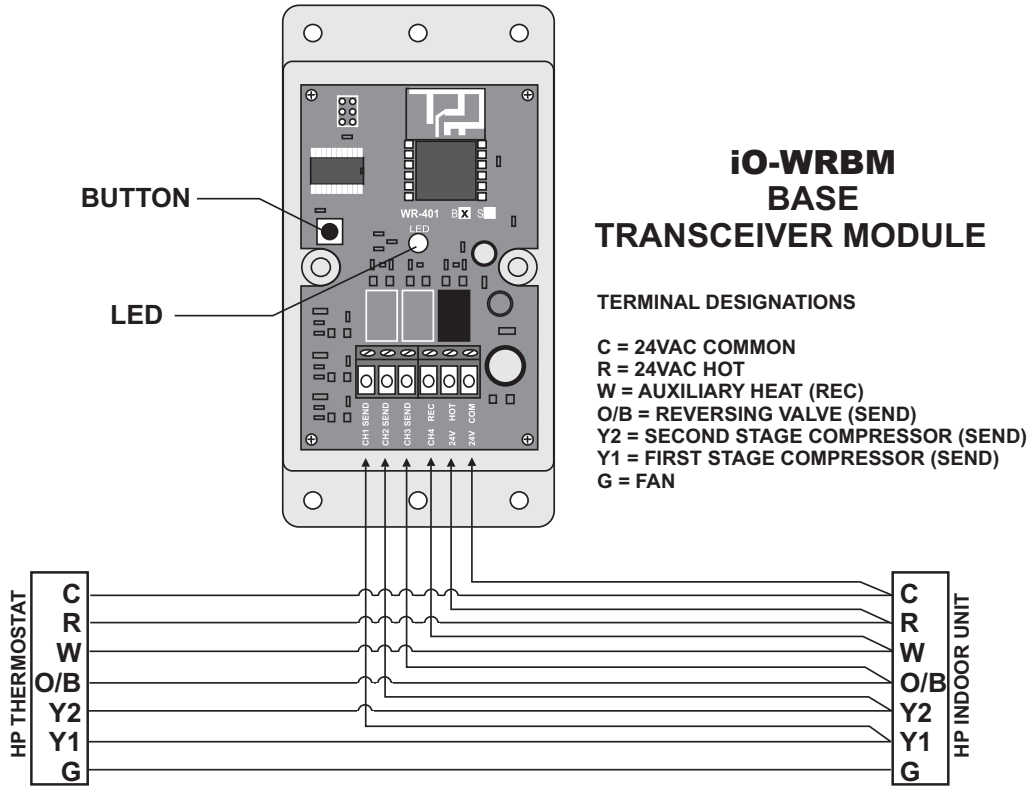
<b>Dimensions</b>	5.125" Height x 2.625" Width x 1.125" Depth
<b>Input Voltage</b>	24VAC
<b>Channels</b>	4 channels (3 send, 1 receive)
<b>Contact Rating</b>	1A per channel
<b>Addresses</b>	Unlimited kits can be installed in the same building
<b>Frequency</b>	915MHz proprietary protocol
<b>Range</b>	100' from satellite module depending on building type

## Specifications: Satellite Module

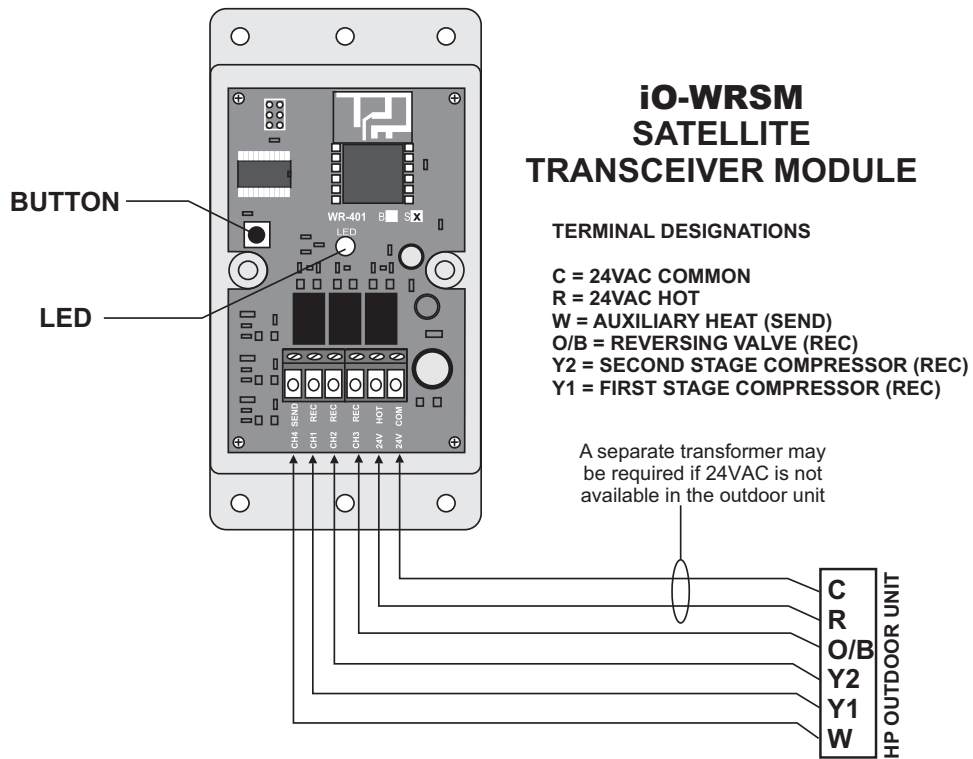
<b>Dimensions</b>	5.125" Height x 2.625" Width x 1.125" Depth
<b>Input Voltage</b>	24VAC
<b>Channels</b>	4 channels (1 send, 3 receive)
<b>Contact Rating</b>	1A per channel
<b>Addresses</b>	Unlimited kits can be installed in the same building
<b>Frequency</b>	915MHz proprietary protocol
<b>Range</b>	100' from base module depending on building type

# WIRELESS RELAY DIAGRAM

## TYPICAL WIRING FOR 3 HEAT / 2 COOL HEAT PUMP



## TYPICAL WIRING FOR 3 HEAT / 2 COOL HEAT PUMP



5351 East Thompson Road Suite 142  
Indianapolis, IN 46237  
P: 888.359.0362  
F: 317.489.5204

info@iOhvaccontrols.com  
www.iOhvaccontrols.com