

# MODEL STXD & STXD-RHUL

## UPBLAST DIRECT DRIVE CENTRIFUGAL ROOF/SIDEWALL EXHAUSTER FOR GENERAL AND RESTAURANT APPLICATIONS



CENTRIFUGAL ROOF & WALL EXHAUSTERS

### APPLICATION

Isolation of the motor from the air stream and the high velocity vertical (roof) or horizontal (wall) air discharge make the Model STXD ideally suited for the removal of dirty, contaminated and/or high temperature air from processes and buildings. Typical applications include restaurant hoods and similar kitchen exhaust ventilation, fume and smoke removal, laboratory fume hood exhaust and chemical process exhaust.

The nonoverloading wheel with its higher static pressure capability makes this unit suitable for either ducted or nonducted applications. Its roof or wall mounting permits location near the area to be ventilated, allowing short duct runs and more efficient operation. They have no belts or fan bearings to maintain or adjust and consequently require very little maintenance.

### CONSTRUCTION

#### Housing

- Heavy-gauge aluminum for extra strength with prepunched mounting holes.
- Neoprene isolators for reduction of vibration and sound.
- Cover easily removed for quick access to motor compartment.
- Enclosed, ventilated motor compartment isolates motor from exhaust air.
- Water tight conduit tube for easy electrical connection.
- Disconnect is standard.
- Lifting lugs for easy and safe placement on roof.
- Stainless steel exterior fasteners.

#### Centrifugal Wheel

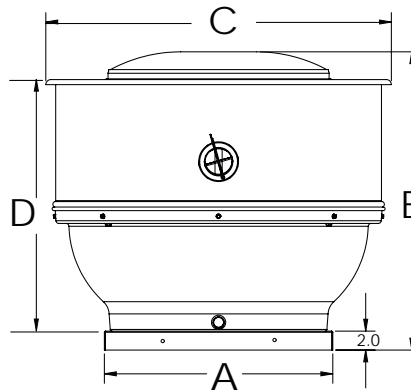
- All aluminum backward inclined wheel.
- Nonoverloading for safe operation in ducted systems.
- Dynamically balanced for smooth operation.

#### Speed Controllable Motors

- Standard motors are single speed, speed controllable and drip-proof.
- All motors are rated for continuous duty.
- Disconnect is standard with single speed drip-proof motors.
- Motors ship mounted as standard.

### DIMENSIONAL DATA

MODEL STXD	A	B	C	D	ROOF OPENING	Average Ship Wt. Lbs.
6	18 1/8	25 1/2	28 5/8	19 3/4	13 1/2	90
7	18 1/8	25 1/2	28 5/8	19 3/4	13 1/2	89
8	18 1/8	25 1/2	28 5/8	19 3/4	13 1/2	98
10	18 1/8	25 1/2	28 5/8	19 3/4	13 1/2	114
12	20 1/8	27 1/8	31 1/4	21 3/8	15 1/2	118
14	20 1/8	27 1/8	31 1/4	21 3/8	15 1/2	117
15	24 1/8	27 7/8	36 1/2	22	19 1/2	135
16	24 1/8	27 7/8	36 1/2	22	19 1/2	136



Ship Schedules:	
●	Next Day Shipment From Stock
▲	3 Day Shipment From Stock
◆	10 Day Shipment

### AMCA SEAL



S&P USA Ventilation Systems, LLC., Div. of Soler & Palau Ventilation Group, certifies that the Models STXD shown herein are licensed to bear the AMCA Seal. The ratings shown are based on test and procedures performed in accordance with AMCA Publication 211 and AMCA Publication 311 and comply with the requirement of the AMCA Certified Ratings Program.



LISTED POWER ROOF VENTILATOR  
UL STANDARD 705 (sizes 6-8)  
UL STANDARD 762 (sizes 10-15)

### SPEED CONTROL

#### Solid State Speed Control:

Control is matched to the motor and blower wheel to allow continuous reduction in performance allowing adjustments of airflow for system balancing. CFM is reduced in direct proportion to motor speed reduction. Speed control is only available for single phase. Exhauster performance can be controlled from the ventilated area.

**727.1 MAX 1/3 HP-5 AMP 120V**  
**2828.1 MAX 1/2 HP-10 AMP 120V**

### ACCESSORIES

MODEL STXD	12" HIGH MOUNTING CURB		GRAVITY DAMPER		DAMPER MOTOR (LOOSE)	115 VOLT SPEED CONTROL	230 VOLT SPEED CONTROL
	OD	STOCK NO.	OD	STOCK NO.	STOCK NO.	STOCK NO.	STOCK NO.
6	16 1/2	711216 ●	12	411012 ●	411611 ●	2727.1 ●	3232.1 ◆
7	16 1/2	711216 ●	12	411012 ●	411611 ●	2727.1 ●	3232.1 ◆
8	16 1/2	711216 ●	12	411012 ●	411611 ●	2727.1 ●	3232.1 ◆

Curb Cap adaptors are available to match old style TXD and competitors curb caps. Refer to Optisizer2 for sizes available on Quickship.

Sizes 6-8 are not suitable for Restaurant applications

MODEL STXD-RHUL	12" HIGH MOUNTING CURB		18" OR 24" HIGH MOUNTING CURB		GRAVITY DAMPER*	DAMPER MOTOR (LOOSE)	115 VOLT SPEED CONTROL		230 VOLT SPEED CONTROL	HINGED BASE KIT	METAL GREASE BOX
	OD	STOCK NO.	STOCK NO.	OD	STOCK NO.	STOCK NO.	STOCK NO.	STOCK NO.	STOCK NO.	STOCK NO.	STOCK NO.
10	16 1/2	711216 ●	722416V ● (24")	12	411012 ●	411611 ●	2727.1 ●	N/A	3232.1 ◆	400252 ●	90005891-A ●
12	18 1/2	711218 ●	722418V ● (24")	14	411014 ●	411611 ●	2727.1 ●	2828.1 ●	3232.1 ◆	400252 ●	90005891-A ●
14	18 1/2	711218 ●	722418V ● (24")	14	411014 ●	411611 ●	2727.1 ●	N/A	3232.1 ◆	400252 ●	90005891-A ●
15	22 1/2	711222 ●	721822V ● (18")	18	411018 ●	411611 ●	N/A	2828.1 ●	3232.1 ◆	400252 ●	90005891-A ●
16	22 1/4	711222 ●	721822V ● (18")	18	411018 ●	411611 ●	N/A	2828.1 ●	3232.1 ◆	400252 ●	90005891-A ●

\*You can not use a damper or birdscreen in a grease application

ALL DIMENSIONS IN INCHES, WEIGHTS IN POUNDS. OD IS OUTSIDE DIMENSION OF SQUARE CURB AND DAMPER. DUE TO CONTINUING RESEARCH, S&P RESERVES THE RIGHT TO CHANGE SPECIFICATIONS WITHOUT NOTICE.

Please refer to the General Catalog or contact the Factory for our Full Line of products available on standard shipping schedules.

**ACCESSORIES CONTINUED**

MODEL STXD/ STXDRHUL	CURB CAP ADAPTOR (replace TXD with STXD using existing curb)	WALL MOUNT ADAPTOR	BIRDSCREEN*	GREASE GRABBER (roof mounting only)	GREASE GRABBER (sidewall mounting only)
	STOCK NO.	STOCK NO.	STOCK NO.	STOCK NO.	STOCK NO.
6	CCA1816 ●	400555 ●	400248 ●	-	-
7	CCA1816 ●	400555 ●	400248 ●	-	-
8	CCA1816 ●	400555 ●	400248 ●	-	-
10	CCA1816 ●	400555 ●	400248 ●	708971 ●	708971W ●
12	CCA2024 ●	400557 ●	400249 ●	708971 ●	708971W ●
14	N/A	400557 ●	400249 ●	708971 ●	708971W ●
15	N/A	400559 ●	400250 ●	708971 ●	708971W ●
16	N/A	400559 ●	400250 ●	708971 ●	708971W ●

\*You can not use a damper or birdscreen in a grease application

<b>MODEL STXD</b>														<i>Upblast Direct Drive Centrifugal Roof/Sidewall Exhauster</i>		Ventilator with Open Drip-proof Motor	
Model STXD	Motor Hp	Max. BHp	RPM	Sones @ 1/8 SP	CFM at Static Pressure										115/1/60	208-230/1/60	
					0	1/8	1/4	3/8	1/2	5/8	3/4	7/8	1	Stock No.	Stock No.		
6	1/10	.05	1650	7.1	225	208	191	172	149	115	56	-	-	STXD06CJH1AS ●	STXD06CJH1CS ◆		
	1/10	.05	1650	7.2	308	285	259	231	194	133	68	-	-	STXD06JH1AS ●	STXD06JH1CS ◆		
7	1/10	.04	1650	7.1	437	394	345	287	223	145	80	-	-	STXD07JH1AS ●	STXD07JH1CS ◆		
8	1/25	.04	1150	6.0	612	531	427	-	-	-	-	-	-	STXD08HM1AS ●	-		
	1/4	.14	1750	10.9	935	881	832	773	712	636	536	312	-	STXD08MH1AS ●	STXD08MH1CS ◆		
10	1/4	.12	1150	7.7	979	886	777	657	452	-	-	-	-	STXD10RHULMM1AS ●	STXD10RHULMM1CS ◆		
	1/3	.28	1700	13.8	1445	1385	1319	1248	1175	1100	1015	922	809	STXD10RHULPH1AS ●	STXD10RHULPH1CS ◆		
12	1/4	.15	1150	8.5	1284	1155	1031	883	701	-	-	-	-	STXD12RHULMM1AS ●	STXD12RHULMM1CS ◆		
	1/2	.40	1700	15.3	1918	1831	1751	1665	1574	1485	1387	1282	1168	STXD12RHULQH1AS ●	STXD12RHULQH1CS ◆		
14	1/4	.26	1100	12.4	2148	1998	1830	1651	1411	1077	-	-	-	STXD14RHULMM1AS ◆	STXD14RHULMM1CS ◆		
15	1/2	.39	1150	14.0	2643	2501	2384	2215	2048	1887	1670	1298	-	STXD15RHULQM1AS ◆	STXD15RHULQM1CS ◆		
16	1/2	.49	1150	14.4	3187	3043	2904	2749	2577	2383	2154	1877	-	STXD16RHULQM1AS ◆	STXD16RHULQM1CS ◆		

Speed (RPM) shown is nominal. Performance is based on actual speed of test.  
 Performance certified is for installation type A-free inlet, free outlet.  
 Performance ratings do not include the effects of birdscreen in the airstream.

The sound ratings shown are the loudness values in the fan sones @ 5' (1.5m) in an hemispherical free field calculated per AMCA Standard 301.  
 Installation Type A: free inlet hemispherical sone levels.